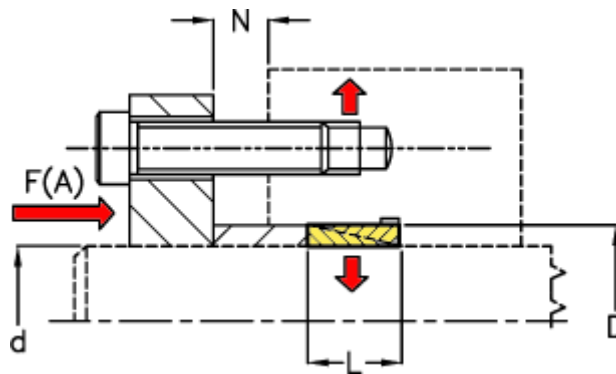


Article number: 433000130

Description: Rota-fix shaft-hub connection C 130x148

Note: Not self centering. Small radial dimensions

Measures



d mm = 130

D mm = 148

$F(A)$ kN = 650

Fit tolerance = Aksel \varnothing ? 38 h6, Aksel \varnothing > 38 h8, Nav \varnothing ? 38 H7, Nav > \varnothing 38 H8

F kN torque = 125.0

L = 28

$N1$ = 6

$N2$ = 7

$N3$

$N4$

P N/mm² surface press

Surface roughness

T N m torque